

Super Quiet Water Pump VP35D

Application

- Plumbing mattress hot water circulation.
- Floor heating system
- Circulating systems for homes.
- Bathing machine.
- Boiler .
- CPU cooling etc.

Feature

- Can endure 70°C high temperature.
- Over temperature protection ,25dB low noise
- Stall protection , Slipping protection .
- PWM speed control function.
- EMC compatibility test passed,no harassment signal .



Parameter

Parameter (only for reference, it can be customized)

Model	Voltage	Rated Current	Max flow	Max head	Power
	V	A	L/MIN	M	W
VP35D	12	0.2	4.5	1.2	2.4
	12	0.2	4.5	1.2	2.4
	12	0.3	5.4	1.7	3.6
	12	0.3	5.4	1.7	3.6

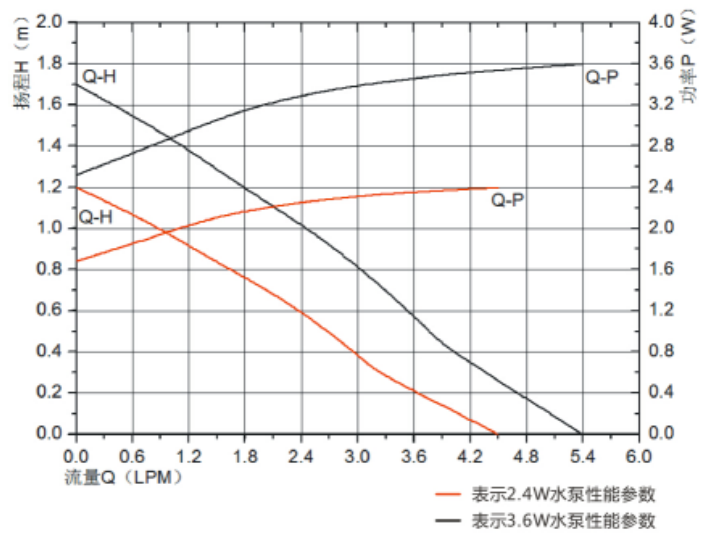
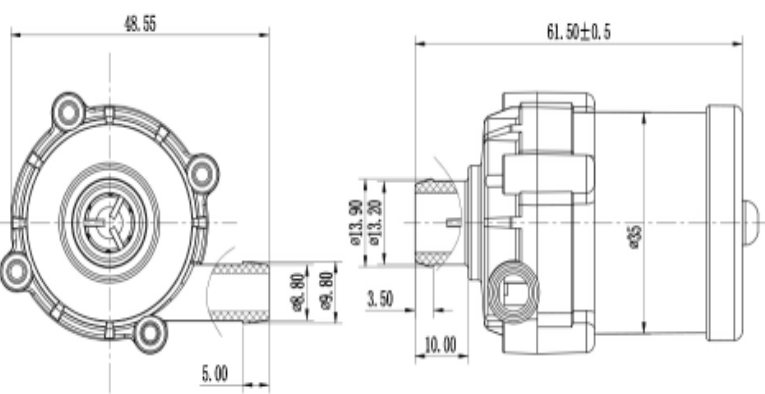
Remarks: The parameters above are for reference only, the one based on the customer's endorsement demands shall prevail!

Notice

- Runs in the condition of the pump chamber without liquid is not allowed.
- Reversely connects the power polarity is not allowed.
- Filter measures should be taken when used in foul water environment.
- Runs in the acid and alkali environment is not allowed.
- Ambient temperature and fluid temperature should be within the rated temperature.

Specification

NO	Items	Specs
1	Sizes	61.5*54*50mm Weight 0.09kg
2	Dimension of inlet	13.2mm
3	Dimension of outlet	8.8mm
4	Pump material	PPE
5	Condition of use	Continuously
6	Fluids	Water, oil [Provide acid and alkali solution]
7	Ambient temperature	-25~70°C
8	Max fluid temperature	0~70°C
9	Power consumption	2.4W~3.6W
10	Rated voltage	12V
11	Voltage used	8Vdc ~17Vdc
12	Noise	<23dB
13	Water proof class	IP68
14	Life span	More than 20000hrs
15	Power supply	Solar panel; DC electric source; battery



Dimension

Head-Flow curve graph